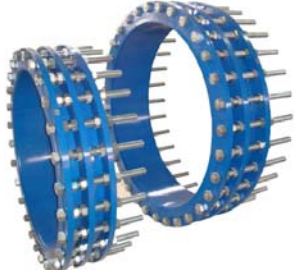
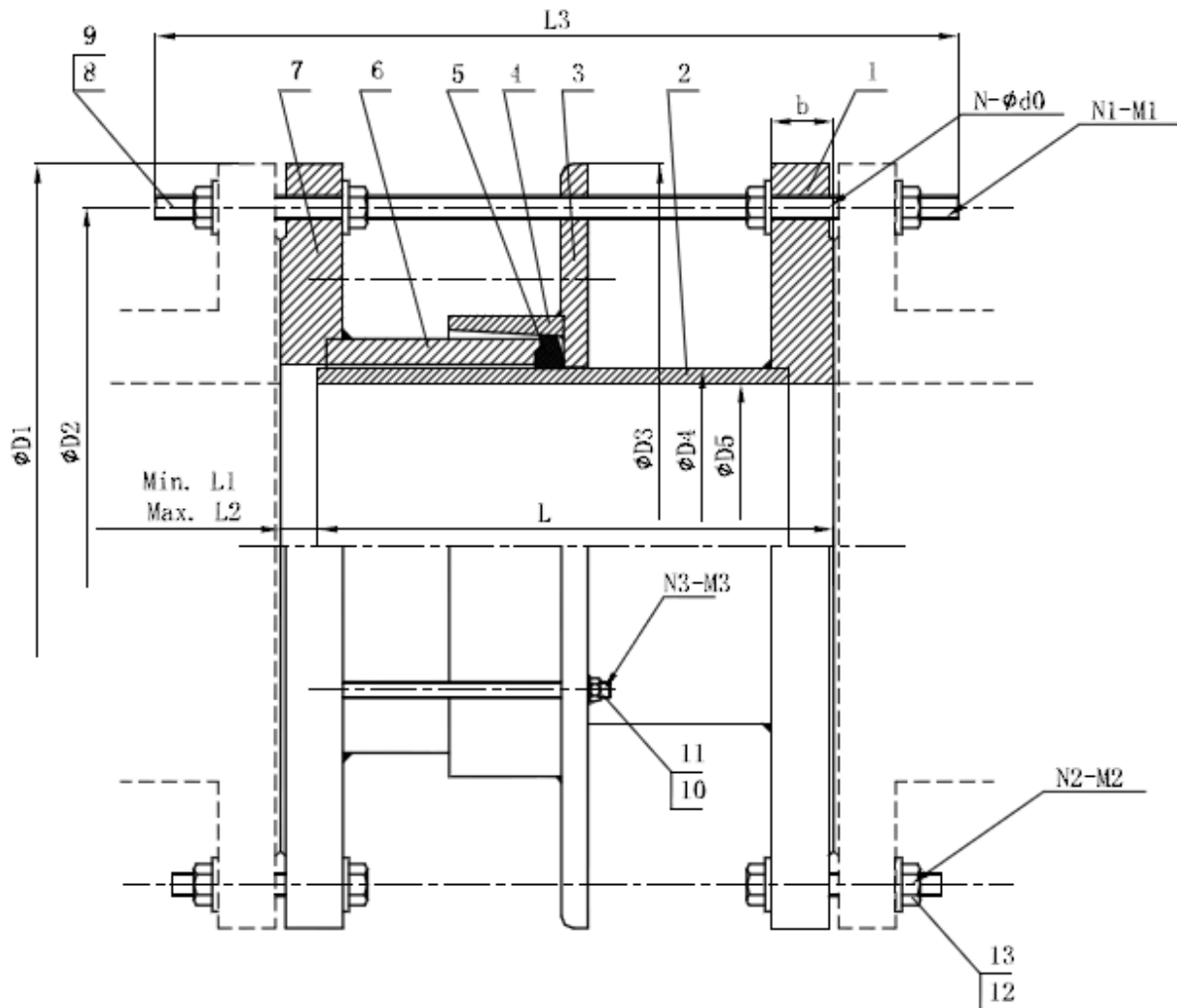


<p><b>Description</b></p>	<p>For easier removal of Butterfly valve in a pipeline, it is recommended to be installed with a Dismantling Joint of the matching size. Duvalco supplies all sizes of dismantling joints with butterfly valves.</p> 															
<p><b>Size Range</b></p>	<p>DN5DN50 to DN22600</p>															
<p><b>Materials of Construction</b></p>	<table border="1" data-bbox="497 763 1353 954"> <thead> <tr> <th>Description</th> <th>Material</th> <th>Grade</th> </tr> </thead> <tbody> <tr> <td>Flange &amp; Pipe</td> <td>Carbon Steel</td> <td>GB Q235-A</td> </tr> <tr> <td>Fasteners</td> <td>Stainless Steel</td> <td>SS 316</td> </tr> <tr> <td>Sealing Ring</td> <td>EPDM</td> <td>-</td> </tr> <tr> <td>Name Plate</td> <td>Stainless Steel</td> <td>SS 316</td> </tr> </tbody> </table> <p><i>* Other types of materials are also available upon request</i></p>	Description	Material	Grade	Flange & Pipe	Carbon Steel	GB Q235-A	Fasteners	Stainless Steel	SS 316	Sealing Ring	EPDM	-	Name Plate	Stainless Steel	SS 316
Description	Material	Grade														
Flange & Pipe	Carbon Steel	GB Q235-A														
Fasteners	Stainless Steel	SS 316														
Sealing Ring	EPDM	-														
Name Plate	Stainless Steel	SS 316														
<p><b>Corrosion Protection</b></p>	<ol style="list-style-type: none"> <li>1) All internal and external cast surfaces are coated with fusion bonded powder epoxy having a minimum of 200µm DFT.</li> <li>2) Epoxy coating is WRAS listed for potable water applications and meets the requirements of BS 6920 for water quality testing.</li> <li>3) Coating colour - blue to RAL 5005</li> </ol>															
<p><b>Marking</b></p>	<p><b>All valves are marked with the following information:-</b></p> <ul style="list-style-type: none"> <li>- Size</li> <li>- 'Duvalco'</li> <li>- Material – Carbon Steel</li> <li>- Year of manufacture</li> </ul>															
<p><b>Packing</b></p>	<p>All valves will be despatched properly packed, with all items separated to avoid damage to coating, castings, facings, flange faces, etc.</p>															

**Dimensional Detail**



DN	φD1	φD2	N-φd0	N1-M1	N2-M2	N3-M3	φD3	φD4	φD5	L	L1	L2	L3	b
350	520	470	16-φ27	8-M24	8-M24	8-M12	520	378	355	285	5	65	470	28

**Flange connection**

According to BS EN 1092-2 PN16

*\* Note: Please refer to General Arrangement drawing for full details of valves*